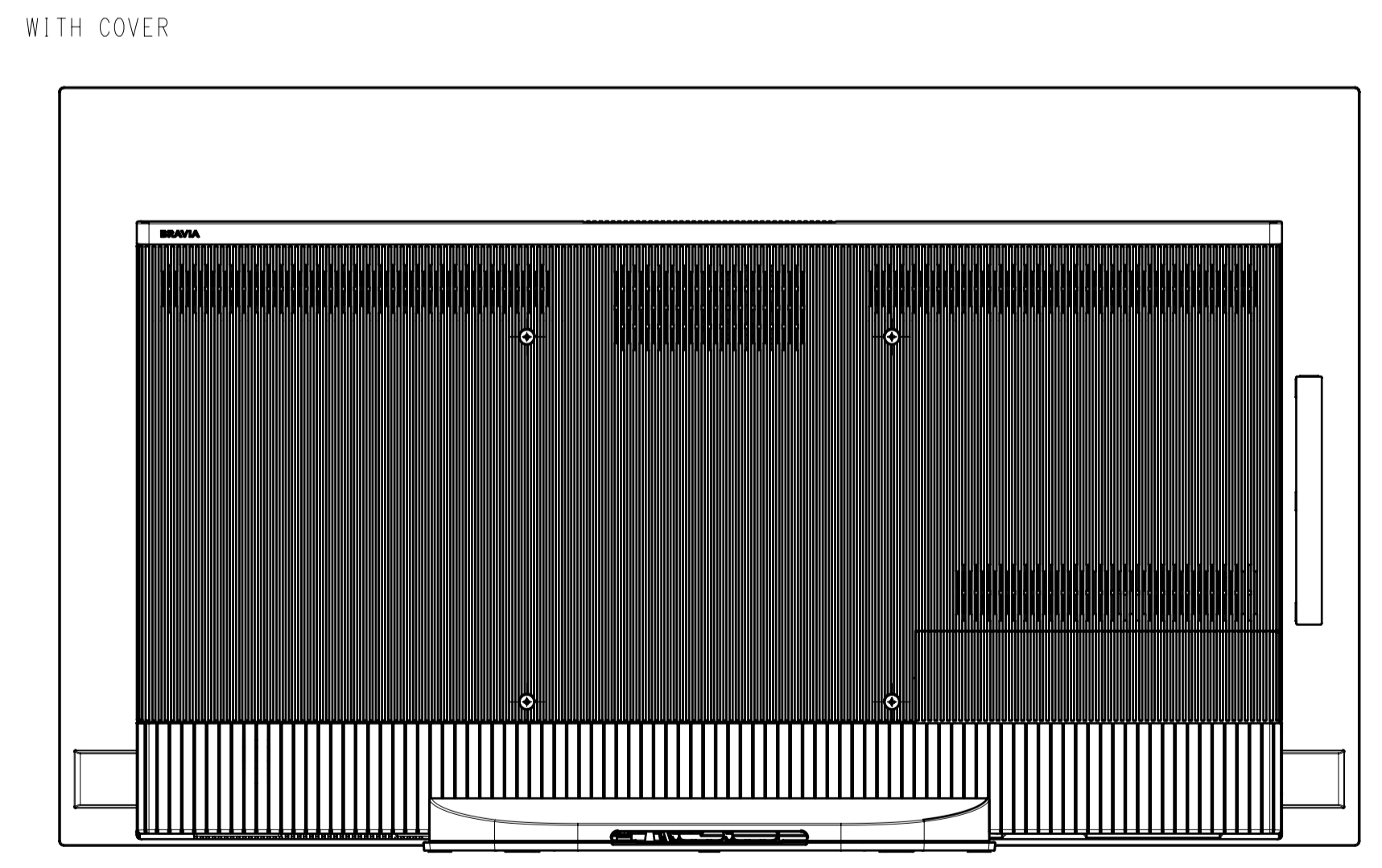
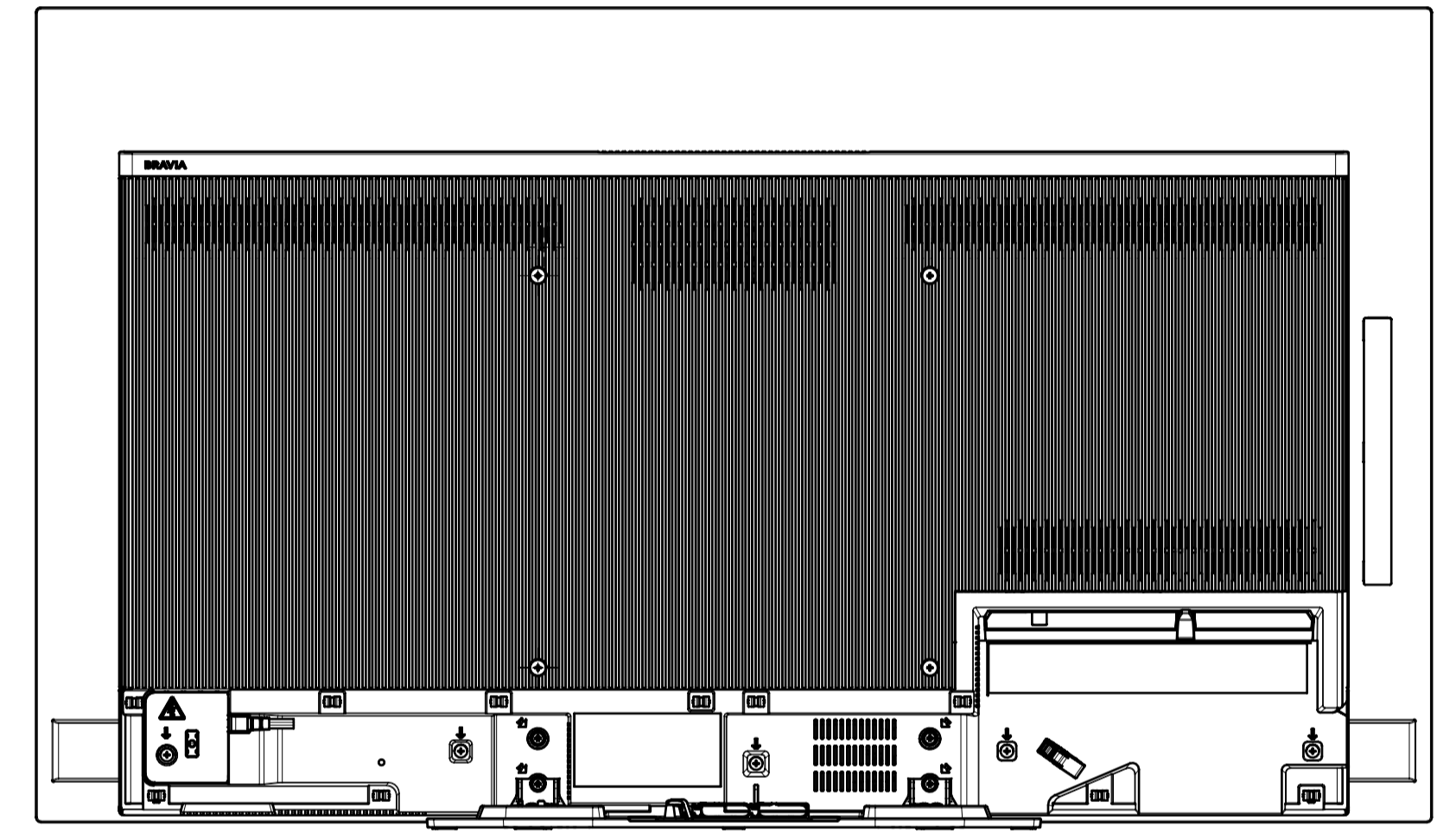
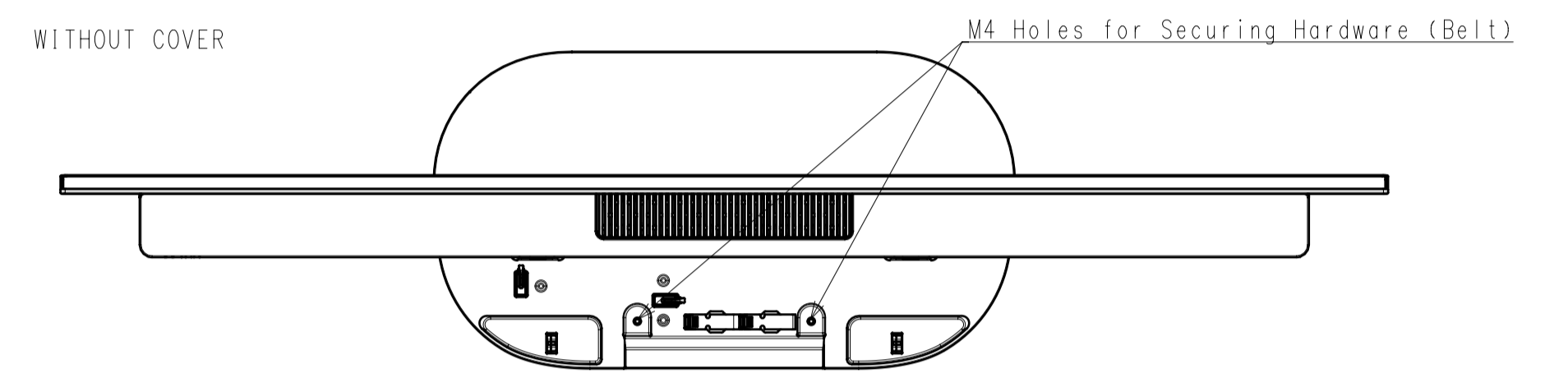
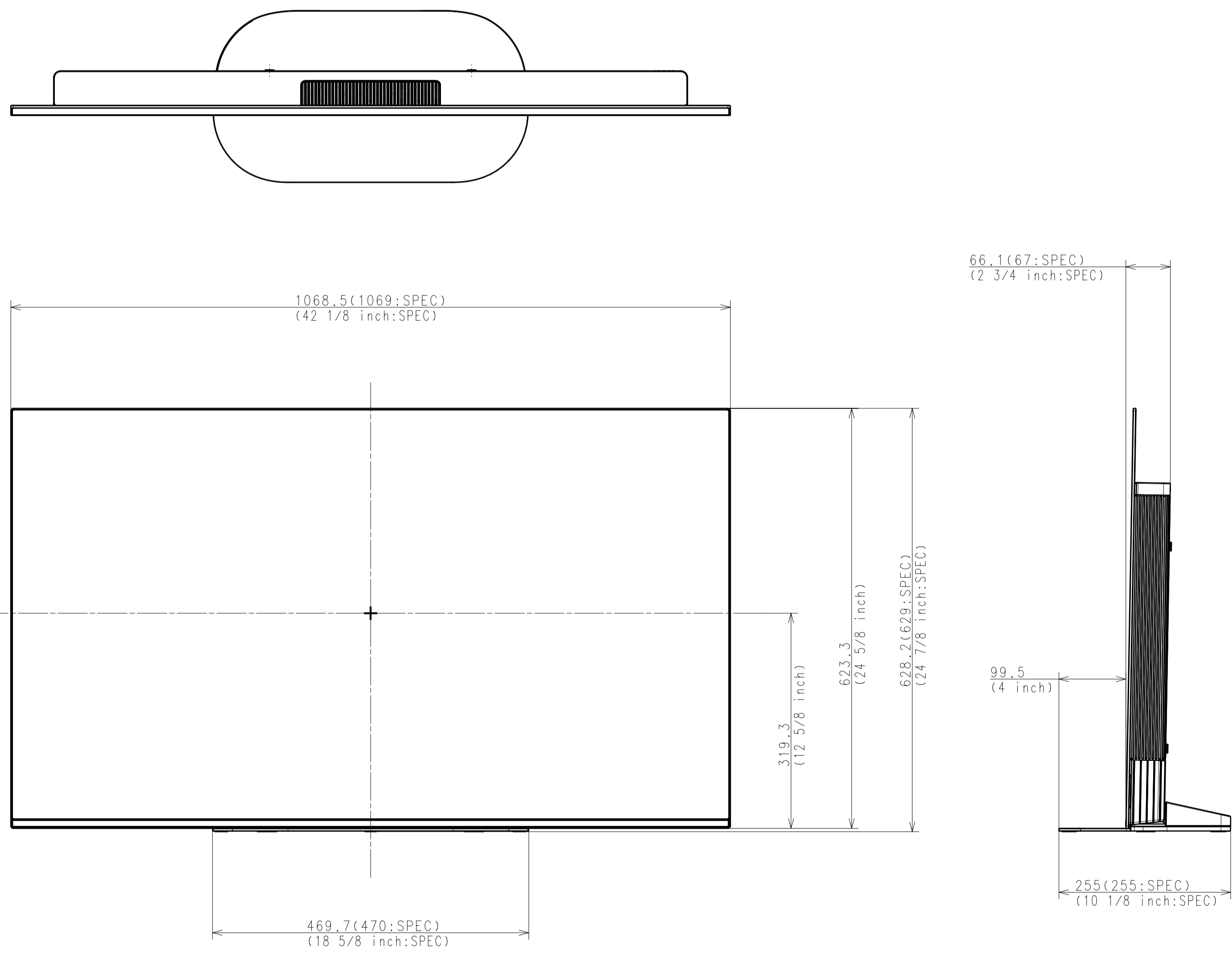


Area	JAPAN	NORTH AMERICA	EUROPE	GENERAL AREA
Model Name	KJ-48A9S	XBR-48A9S	KD-48A9	KD-48A9S
SV No.	SV-38593	SV-38750	SV-38611	SV-38751
DIMENSION	TV only (WxHxD)	106.9x62.4x5.8(0.42) cm	1069x624x58(4.2) mm / 42 1/8 x 24 5/8 x 2 3/8(3/16) inch	Approx. 106.9x62.4x5.8(0.42) cm
	TV with Stand (WxHxD)	106.9x62.9x25.5 cm	1069x629x255 mm / 42 1/8 x 24 7/8 x 10 1/8 inch	Approx. 106.9x62.9x25.5 cm
	Media Receiver (WxHxD)	-	-	-
	Monitor only (WxHxD)	-	-	-
	Monitor with Stand (WxHxD)	-	-	-
	Media Receiver with Stand (WxHxD)	-	-	-
	Satellite Speaker (WxHxD)	-	-	-
	Stand Width	47.0 cm	470 mm / 18 5/8 inch	Approx. 47.0 cm
WEIGHT	TV Only	13.9 Kg	13.9 Kg / 30.7 lb	Approx. 13.9 Kg
	TV With Stand	17.6 Kg	17.6 Kg / 38.8 lb	Approx. 17.6 Kg
Remarks				

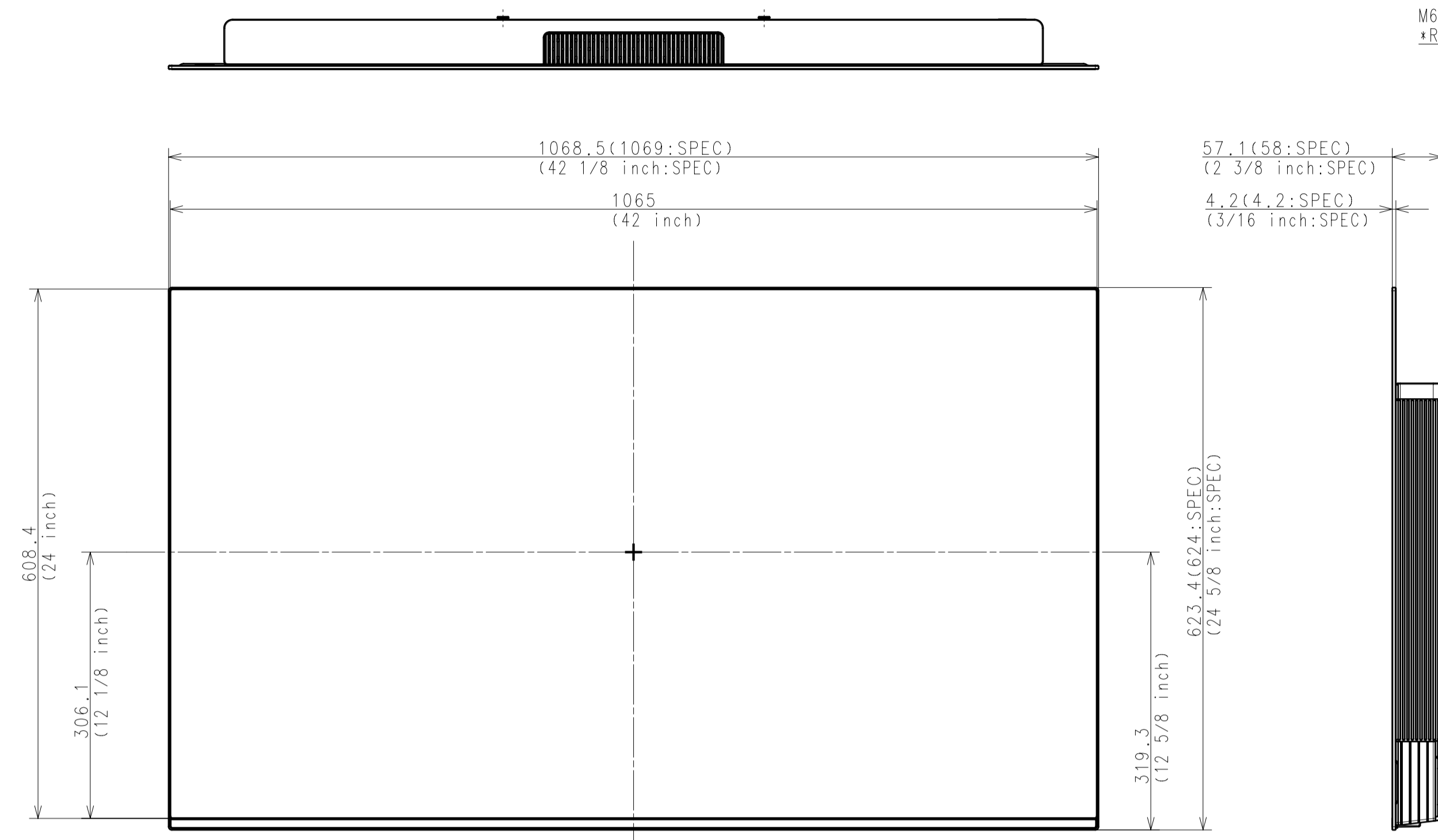
WITH STAND



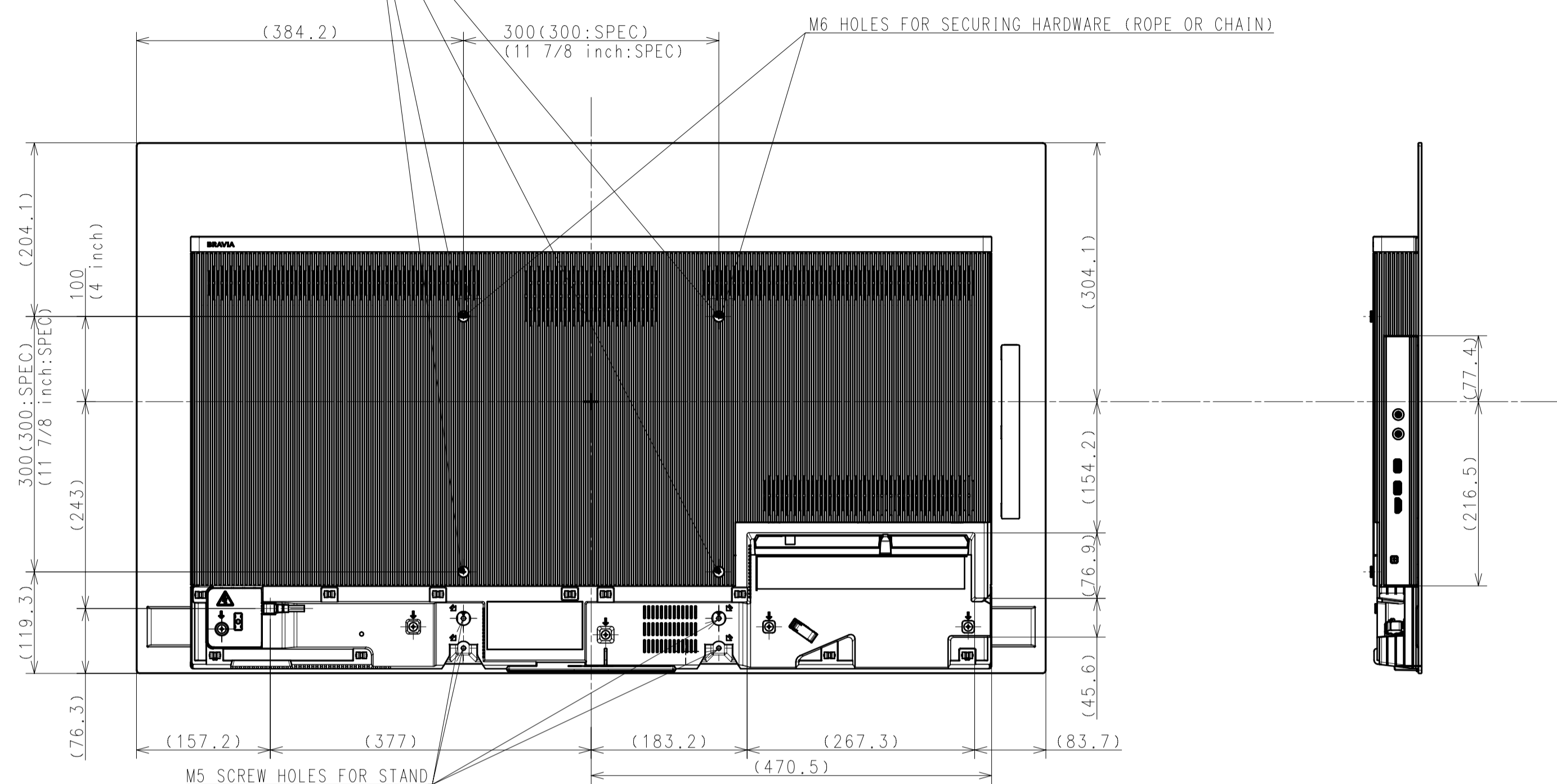
Purchase recycled resins and wire rods only from the business partners that Sony approves as Green Partners.

<table border="1"> <tr><td>△A</td><td>①</td></tr> <tr><td>△A</td><td>②</td></tr> <tr><td>△A</td><td>③</td></tr> </table>	△A	①	△A	②	△A	③	<table border="1"> <tr><td>DATE OF ISSUE</td><td>2020.02.14</td></tr> <tr><td>DOCUMENT TYPE</td><td>PART</td></tr> <tr><td>TOLERANCING</td><td>DRAWING</td></tr> <tr><td>(JIS 8 000(ISO 001))</td><td></td></tr> </table>	DATE OF ISSUE	2020.02.14	DOCUMENT TYPE	PART	TOLERANCING	DRAWING	(JIS 8 000(ISO 001))																										
△A	①																																							
△A	②																																							
△A	③																																							
DATE OF ISSUE	2020.02.14																																							
DOCUMENT TYPE	PART																																							
TOLERANCING	DRAWING																																							
(JIS 8 000(ISO 001))																																								
<table border="1"> <tr><td>HISTORY</td><td>SUFFIX</td><td>RELEASE NO.</td><td>REVISION</td><td>SIGN.</td></tr> <tr><td>Y. COUNT</td><td>PREL. NO.</td><td>DATE</td><td></td><td></td></tr> </table>	HISTORY	SUFFIX	RELEASE NO.	REVISION	SIGN.	Y. COUNT	PREL. NO.	DATE			<table border="1"> <tr><td>MATERIAL COLOR</td><td>FINISH COLOR</td></tr> </table>	MATERIAL COLOR	FINISH COLOR																											
HISTORY	SUFFIX	RELEASE NO.	REVISION	SIGN.																																				
Y. COUNT	PREL. NO.	DATE																																						
MATERIAL COLOR	FINISH COLOR																																							
<table border="1"> <tr><td>RESPONSIBLE DEPARTMENT</td><td>ORIGINAL MODEL</td><td>DESCRIPTION</td></tr> <tr><td>SHES TV Div.</td><td>48(A9S)</td><td>EXTERIOR VIEW</td></tr> <tr><td>PLANNED BY</td><td>CHECKED BY</td><td>APPROVED BY</td></tr> <tr><td>2020.02.14</td><td></td><td></td></tr> <tr><td>SCALE</td><td>TENTATIVE MODEL</td><td></td></tr> <tr><td>1:5</td><td></td><td></td></tr> <tr><td>DRAWN BY</td><td>SIZE</td><td>UNIT</td></tr> <tr><td>2020.02.14</td><td>A1</td><td>mm</td></tr> <tr><td>PAGE NO.</td><td>SUFFIX</td><td>REV. NO.</td></tr> <tr><td>1 / 3</td><td></td><td></td></tr> </table>		RESPONSIBLE DEPARTMENT	ORIGINAL MODEL	DESCRIPTION	SHES TV Div.	48(A9S)	EXTERIOR VIEW	PLANNED BY	CHECKED BY	APPROVED BY	2020.02.14			SCALE	TENTATIVE MODEL		1:5			DRAWN BY	SIZE	UNIT	2020.02.14	A1	mm	PAGE NO.	SUFFIX	REV. NO.	1 / 3			<table border="1"> <tr><td>DATE OF ISSUE</td><td>2020.02.14</td></tr> <tr><td>DOCUMENT TYPE</td><td>PART</td></tr> <tr><td>TOLERANCING</td><td>DRAWING</td></tr> <tr><td>(JIS 8 000(ISO 001))</td><td></td></tr> </table>	DATE OF ISSUE	2020.02.14	DOCUMENT TYPE	PART	TOLERANCING	DRAWING	(JIS 8 000(ISO 001))	
RESPONSIBLE DEPARTMENT	ORIGINAL MODEL	DESCRIPTION																																						
SHES TV Div.	48(A9S)	EXTERIOR VIEW																																						
PLANNED BY	CHECKED BY	APPROVED BY																																						
2020.02.14																																								
SCALE	TENTATIVE MODEL																																							
1:5																																								
DRAWN BY	SIZE	UNIT																																						
2020.02.14	A1	mm																																						
PAGE NO.	SUFFIX	REV. NO.																																						
1 / 3																																								
DATE OF ISSUE	2020.02.14																																							
DOCUMENT TYPE	PART																																							
TOLERANCING	DRAWING																																							
(JIS 8 000(ISO 001))																																								

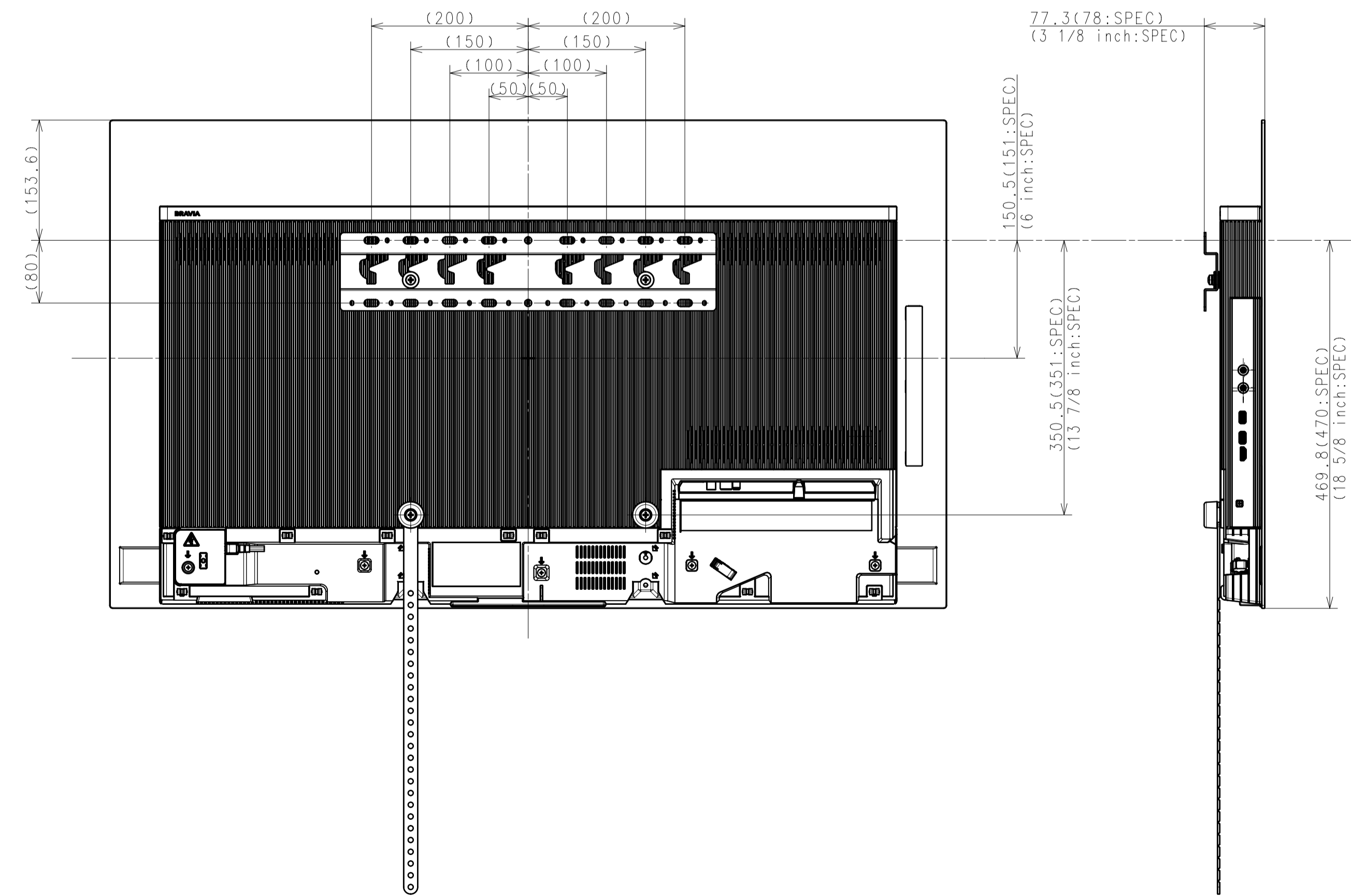
WITHOUT STAND



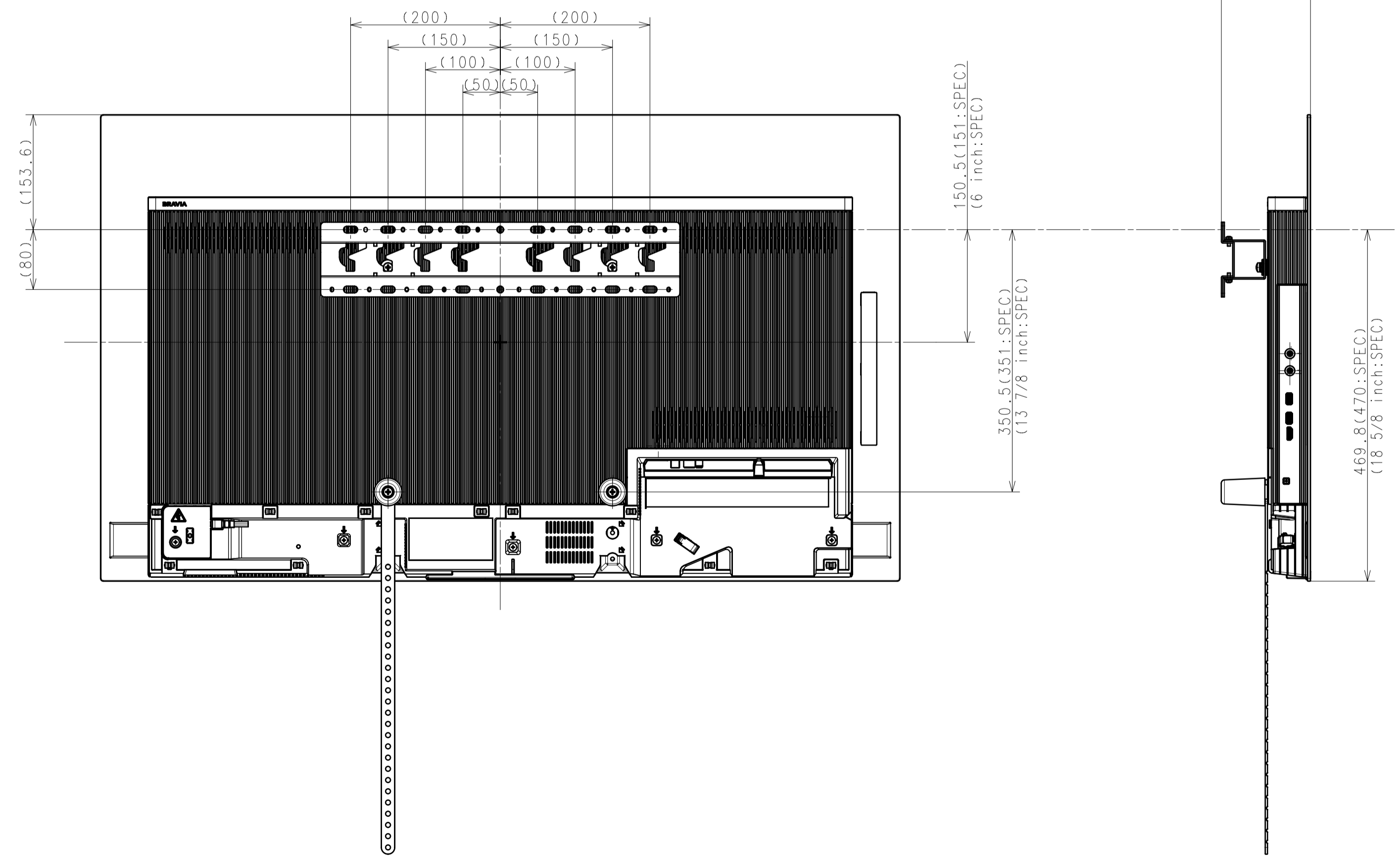
M6 HOLES FOR WALL MOUNT BRACKET
 *REFER TO INSTRUCTION MANUAL FOR SCREW LENGTH INFORMATION.



SU-WL450 SLIM



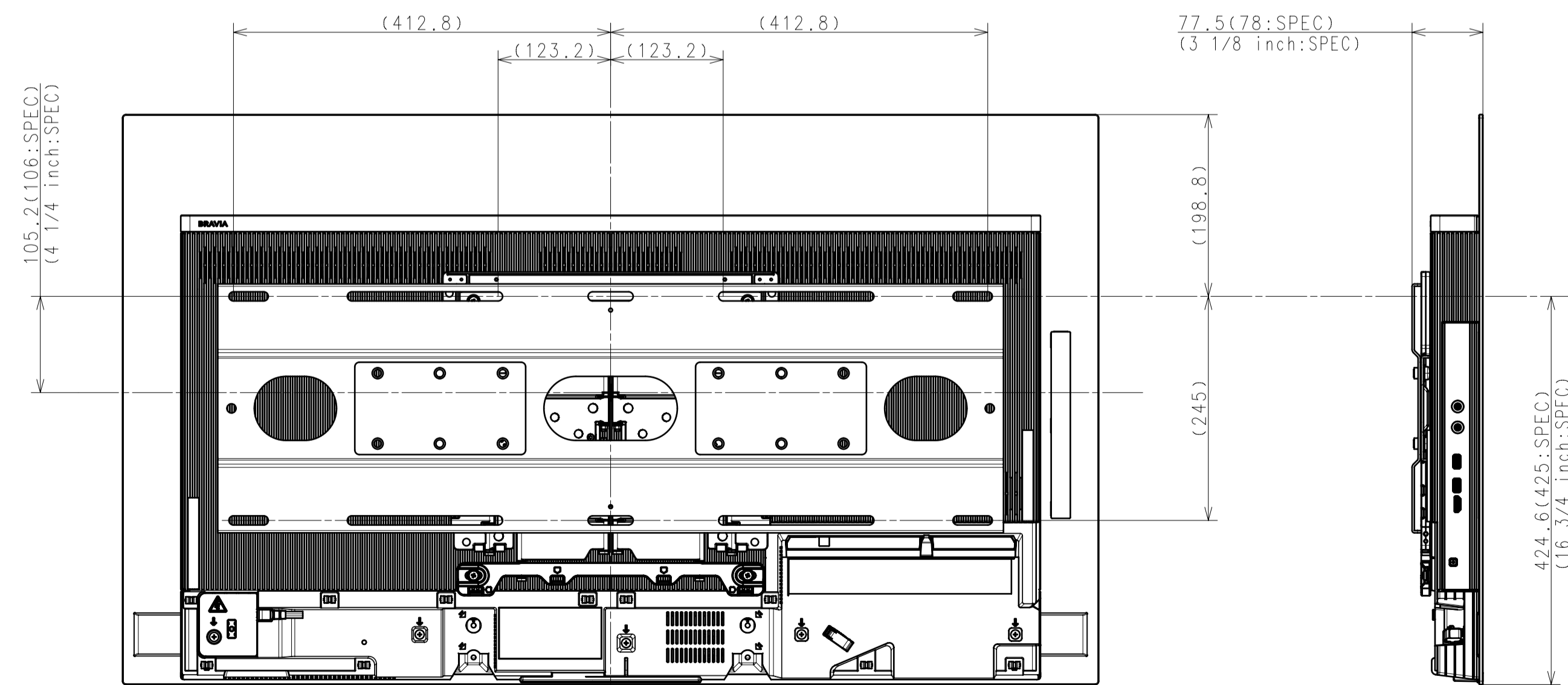
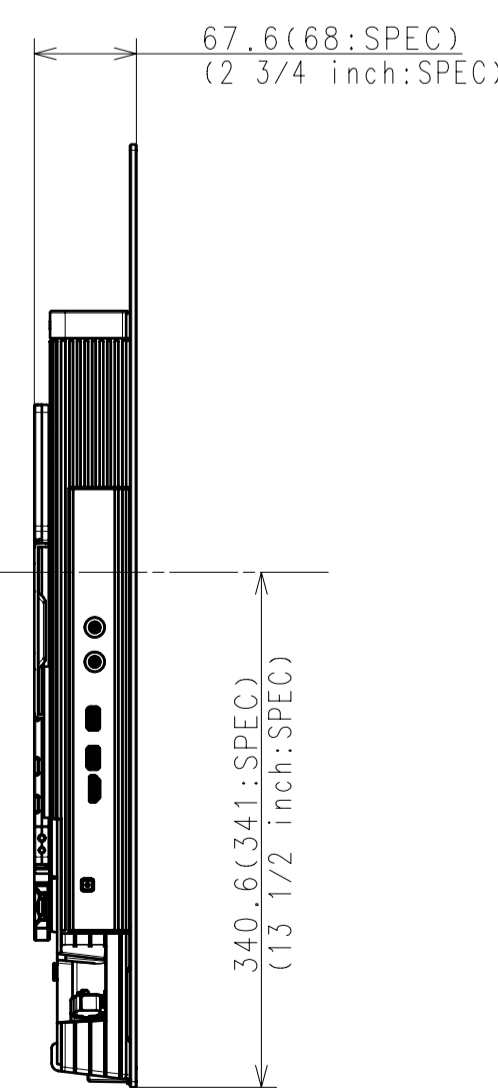
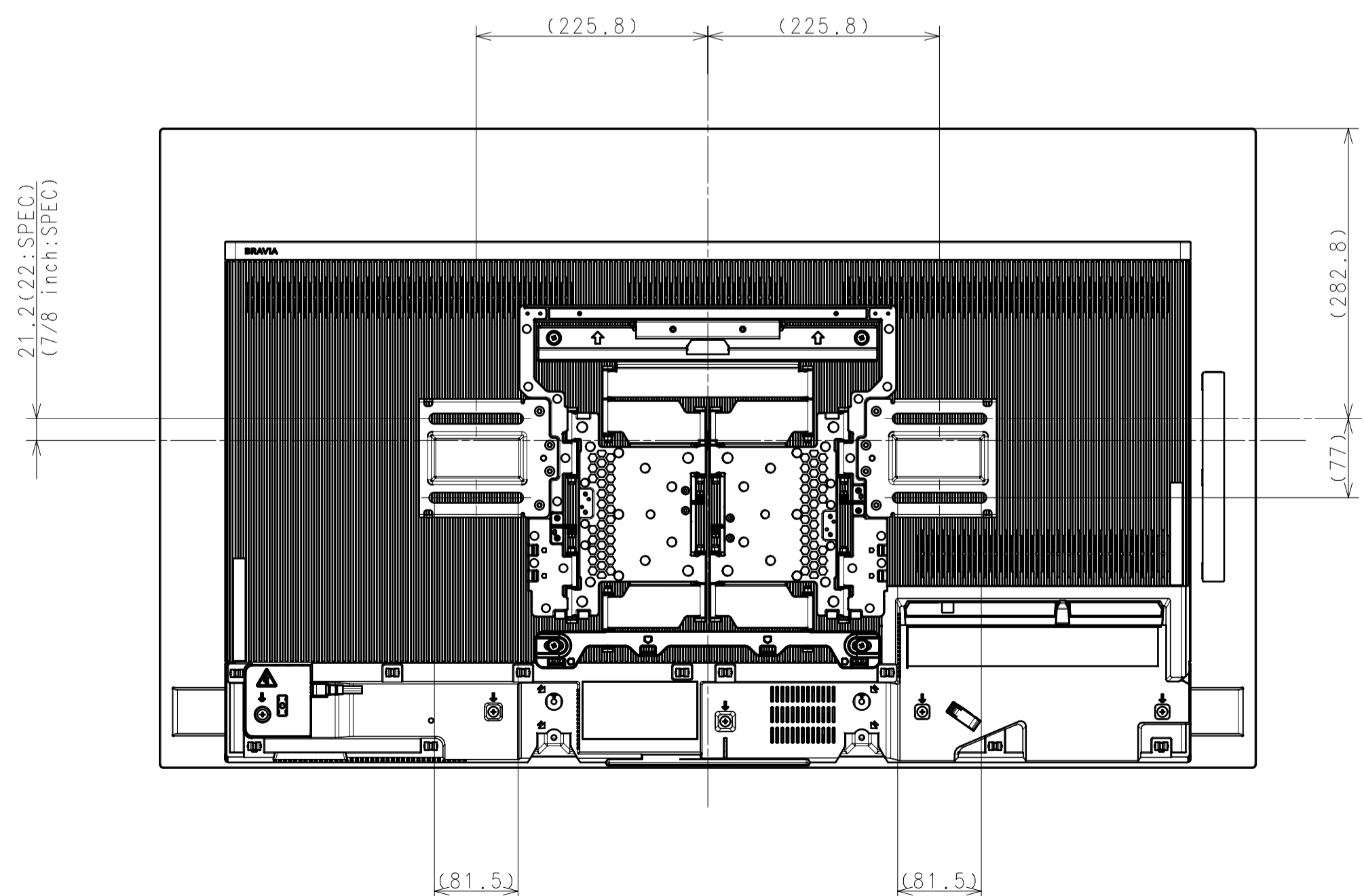
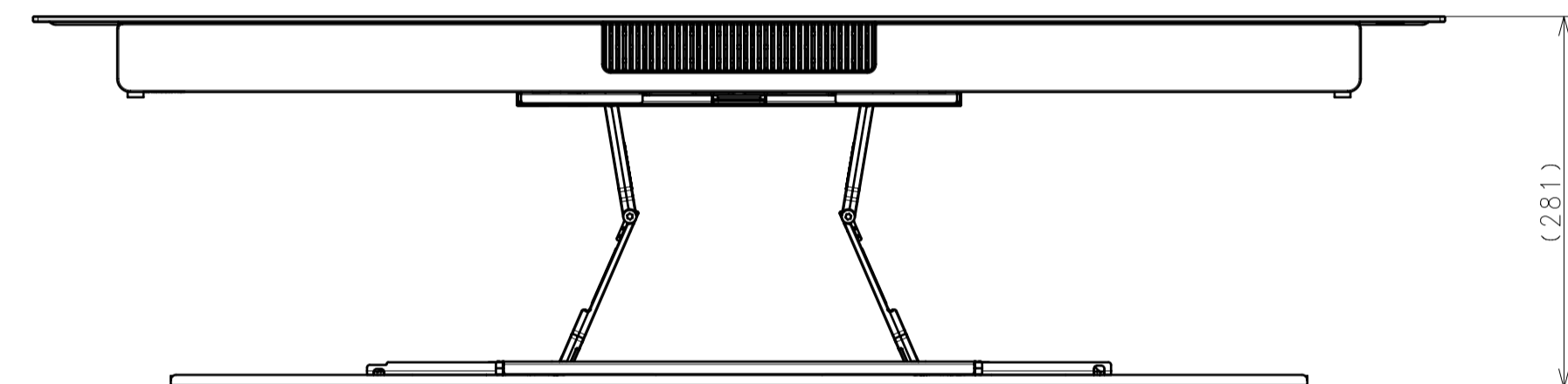
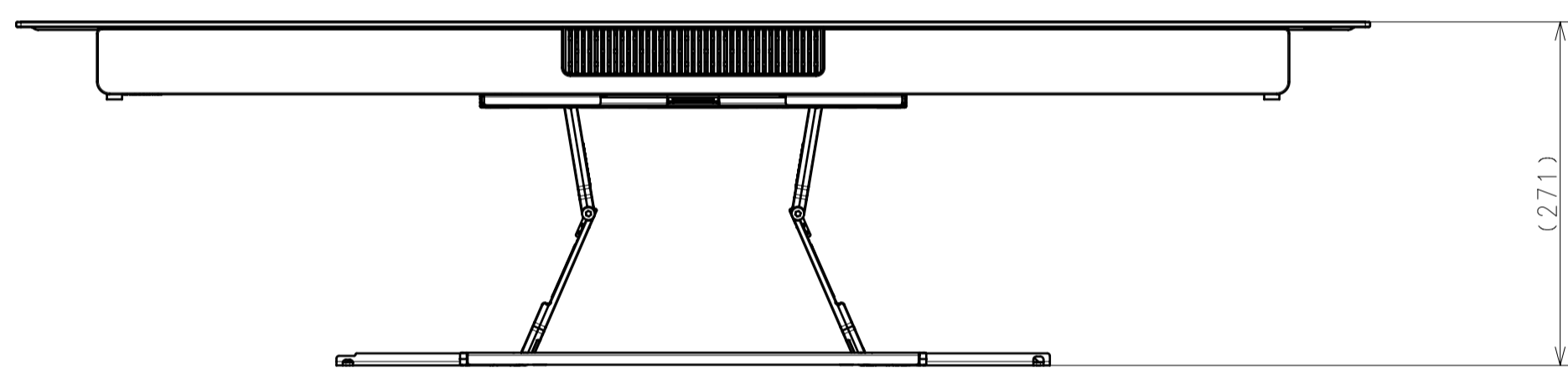
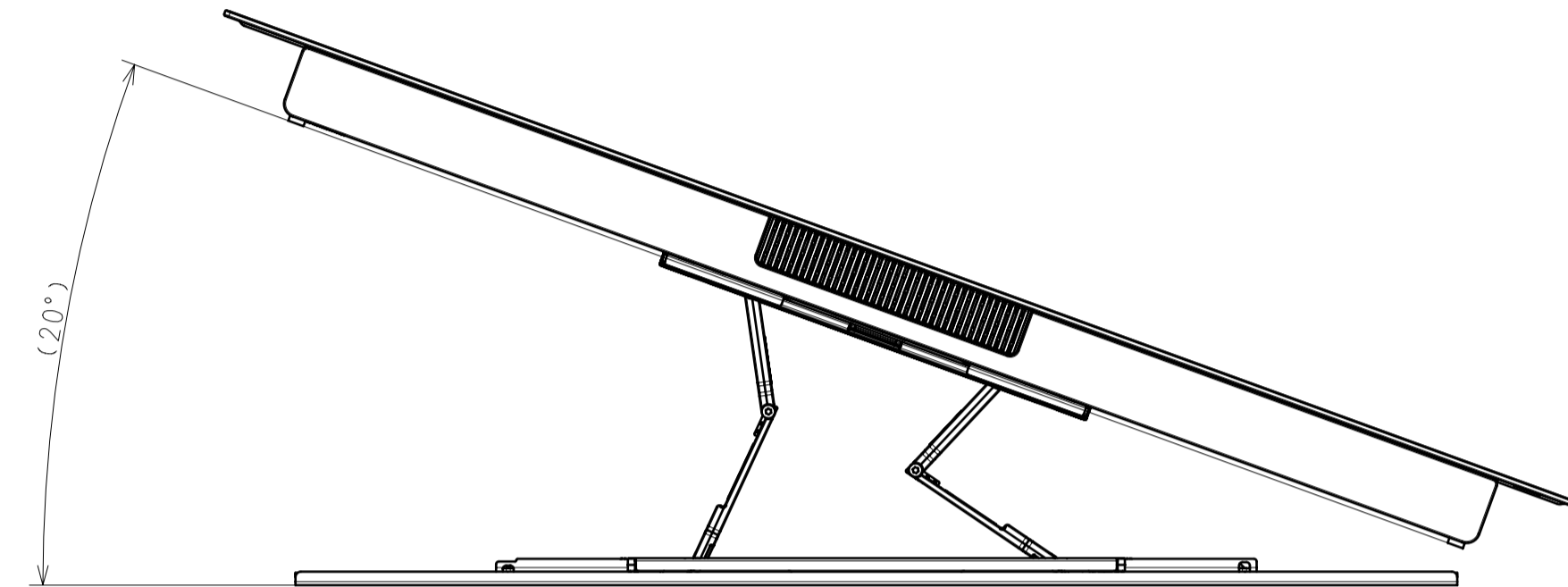
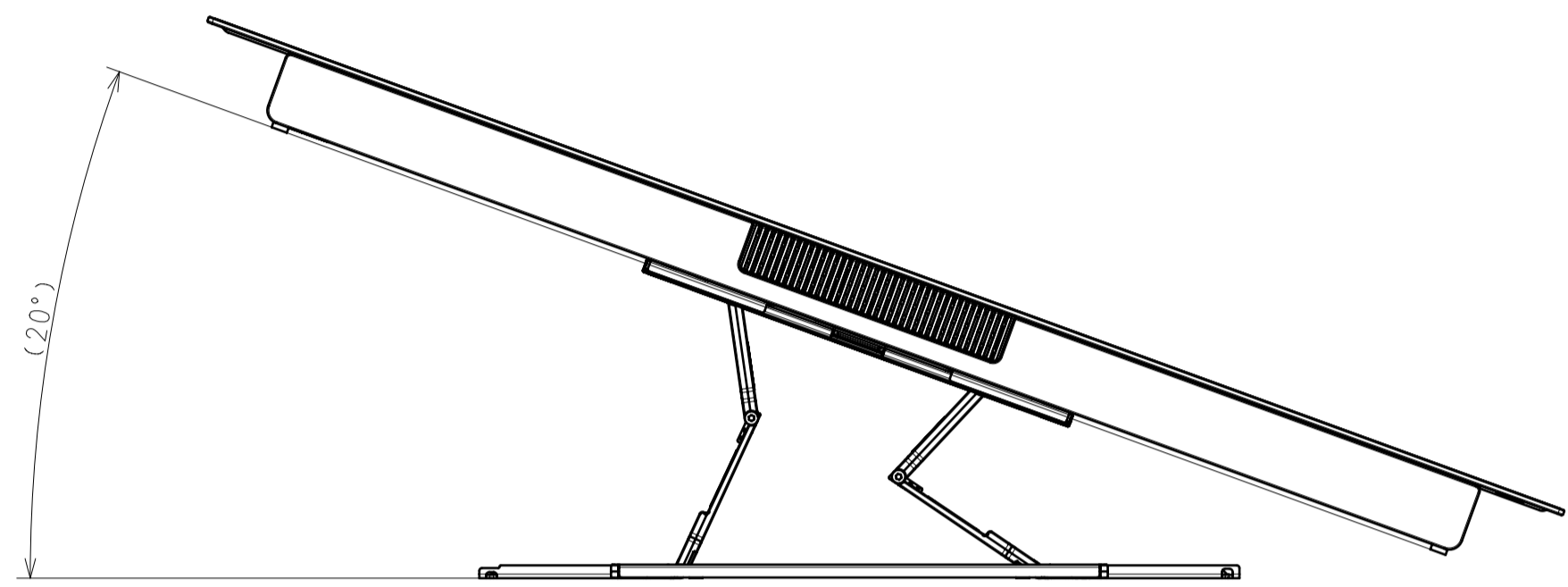
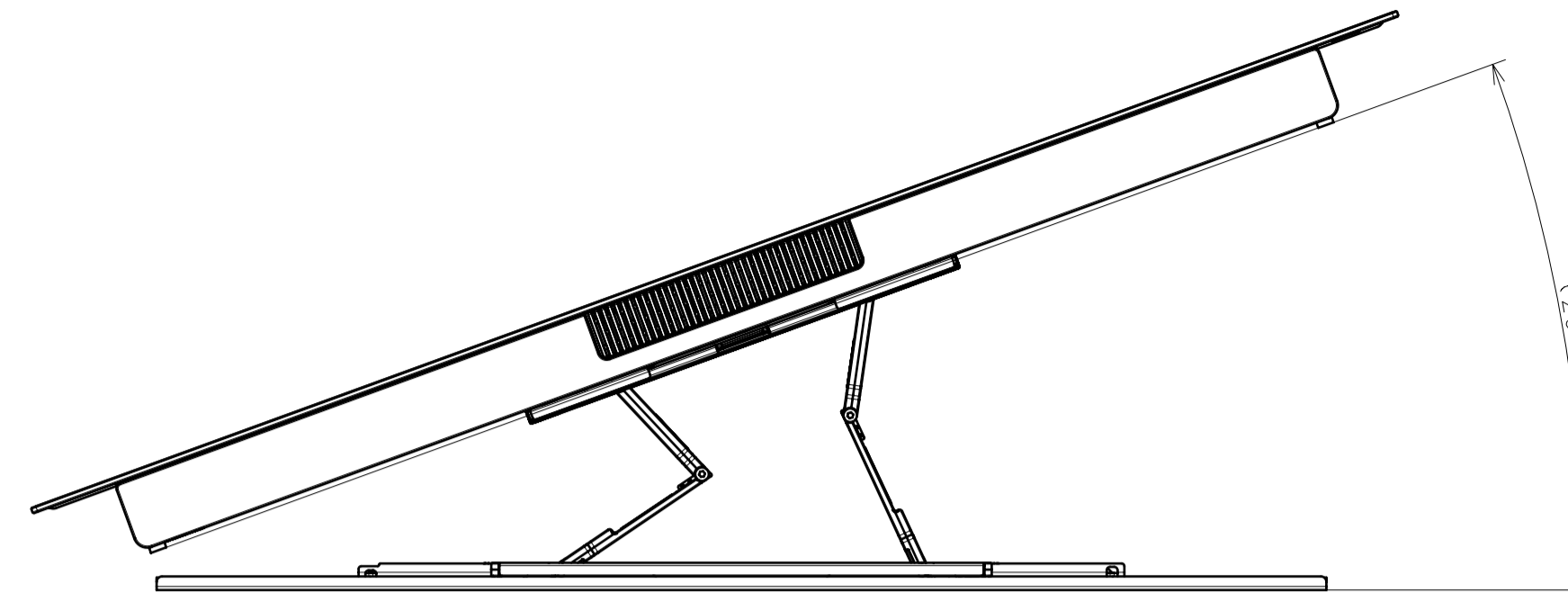
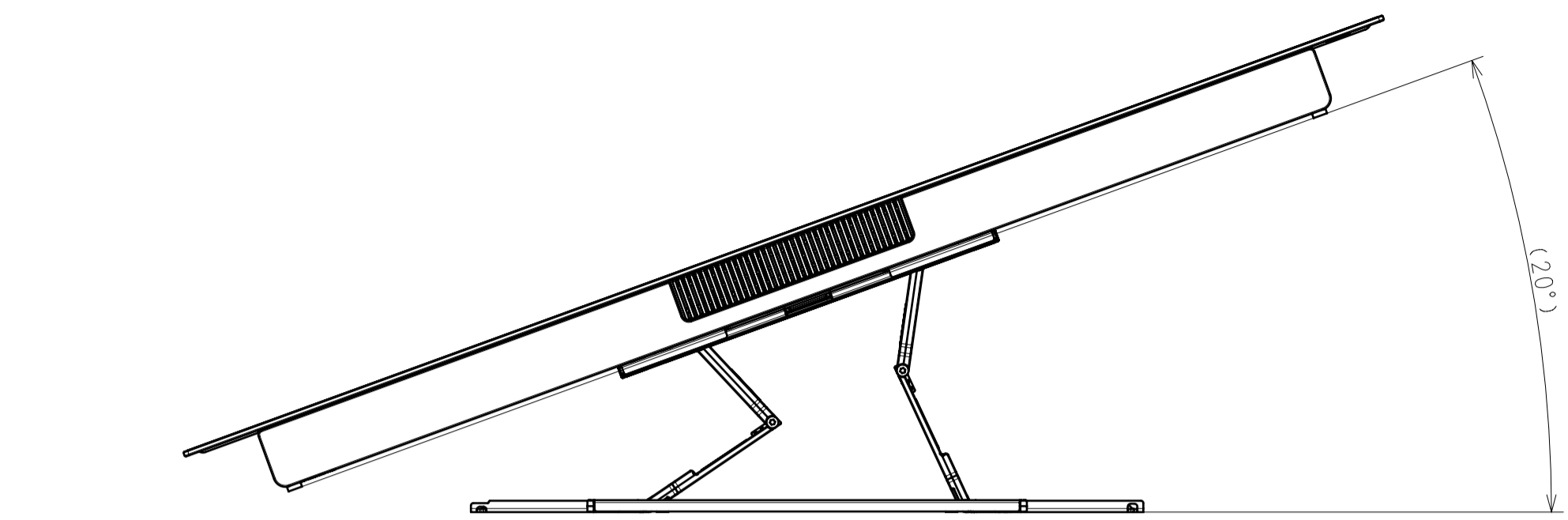
SU-WL450 STANDARD



DESCRIPTION 1	48(A9S) EXTERIOR VIEW	LEGAL OWNER	Sony Corporation	SCALE	1:5
DESCRIPTION 2	48(A9S) EXTERIOR VIEW	PART NO.		SHEET/PAGES	2 / 3

SU-WL850

SU-WL855 WITH LATERAL SHAFT BRACKET



DESCRIPTION1 48(A9S) EXTERIOR VIEW	LEGAL OWNER Sony Corporation	SCALE 1:5
DESCRIPTION2 48(A9S) EXTERIOR VIEW	PART NO.	SHEET/PAGES 3 / 3